



STANDARD FEATURES

- Fifteen level holding and transport cabinet accepts fifteen 18" x 26" sheet pans, twenty-six 12" x 20" x 2½" steam table pans, or a combination of both.
- Heavy duty 20 gauge polished stainless steel cabinet with welded tubular steel inner frame for increased durability.
- Set of 5" casters (2 swivel with brakes, 2 rigid)
- Deluxe side mounted push handles.
- Stainless steel door with heavy duty hinges, door latch mechanism, and long lasting silicone gaskets.
- Fully insulated: 2" in top and 1½" in sides, bottom and door.
- 10 pairs of universal interior pan supports, removable for easy cleaning.
- Recessed control panel includes power "on" and heater "on" indicator lights, dial thermostat adjustable from 60° to 190°F, and temperature read-out dial.
- Two 600 watt metal sheathed heating element, 10 amps total draw.
- Requires 120 volt, 60 Hz, single phase power supply. Furnished with 6' power cord and NEMA 6-15 plug.
- One year limited parts and labor warranty.

OPTIONS

- 208/240 volt, 60 Hz, single phase with plug (NEMA 6-15).
- 1000 watt elements.
- Top mounted bumper.
- Cord wrap.
- Electronic temperature control.
- Additional universal pan supports.
- Dutch doors (DD).
- Humidity pan.
- Two year extended limited parts and labor warranty.



SPECIFICATIONS:

Thirteen level holding and transport cabinet, Vulcan-Hart Model No. VBP13I. Heavy duty 20 gauge polished stainless steel cabinet with welded tubular steel inner frame for increased durability. Extended bumper assembly. Deluxe side mounted push handles. Stainless steel door with heavy duty hinges, door latch mechanism, and long lasting silicone gaskets. Fully insulated, 2" in top and 1½" in sides and bottom. Interior universal pan supports are removable for easy cleaning. Accepts fifteen 18" x 26" sheet pans, thirty 12" x 20" x 2½" steam table pans, or a combination of both. Recessed control panel includes power "on" and heater "on" indicator lights, dial thermostat adjusts from 60° to 190°F, and temperature read-out dial. Two 600 watt metal sheathed heating element, 10 amps total draw. Requires 120 volt, 60 Hz, single phase power supply. Furnished with 6' power cord and NEMA 6-15 plug.

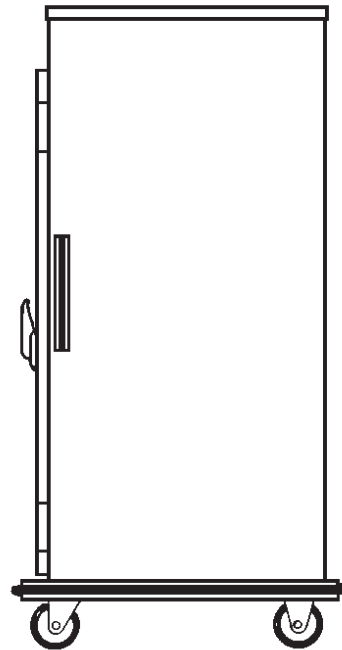
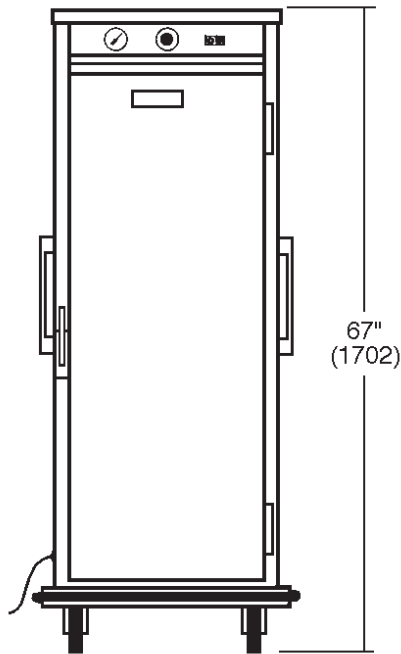
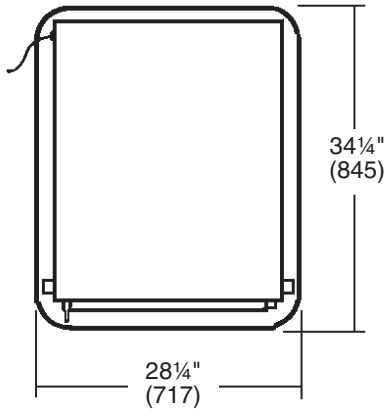
Exterior dimensions: 28¼"w x 33¾"d x 57¼"h on 5" casters (2 swivel with brakes, 2 rigid)

NSF listed. UL listed. UL listed to Canadian safety standards. Meets ENERGY STAR® performance levels.



MODEL VBP15I

INSTITUTIONAL SERIES
HOLDING AND TRANSPORT CABINET



Model No.	Pan Capacity	Exterior Dimensions			Electrical Specifications			Approx. Shp. Wt.
		Width	Depth	Height	Volts	Watts	Amps	
VBP15I	15 - 18" x 26 x 1" 30 - 12" x 20" x 2 $\frac{1}{2}$ "	28 $\frac{1}{4}$ "	33 $\frac{3}{4}$ "	67"	120	1200	10	360 lbs. 163 kg

NOTE: In line with its policy to continually improve its products, Vulcan-Hart Company reserves the right to change materials and specifications without notice.

VULCAN-HART COMPANY, P.O. BOX 696, LOUISVILLE, KY 40201, TEL. 1-800-814-2028
502-778-2791 QUOTE & ORDER FAX: 1-800-444-0602