



Model RHPA-424A

Standard Features:

- Heavy-duty, removable drip pan
- 20,000 BTU/hr. per burner - natural gas
- 17,500 BTU/hr. per burner - propane gas
- Individual burner controls
- Standing pilot for instant lighting
- 3/4" gas regulator
- 4" (102mm) legs with adjustable feet
- Exterior finish - stainless steel front sides, landing ledge and valve cover

Optional Features:

- Stainless steel stand with intermediate shelf
- Casters on stand - swivel type

Specification:

Shall be U.S. Range Regal Hot Plate, Model _____ with total BTU/hr rating of _____ when used with natural/propane gas. Finish is to be stainless steel front and sides.



AVAILABLE MODELS:		TOTAL BTU	SHIPPING INFORMATION	
Model No.	Description	Natural/ Propane	Lbs/Kg	Cube Dimensions (LxDxH) In(mm)
RHPA-112A	1 Open Burner - 12"W x 16"D	20,000/17,500	50/23	30 (762) x 13 (330) x 16 (406)
RHPA-212A	2 Open Burners - 12"W x 28"D	40,000/35,000	73/33	30 (762) x 13 (330) x 16 (406)
RHPA-224A	2 Open Burners - 24"W x 16"D	40,000/35,000	81/37	30 (762) x 30 (762) x 16 (406)
RHPA-336A	3 Open Burners - 36"W x 16"D	60,000/52,500	123/56	42 (1067) x 40 (1016) x 26 (660)
RHPA-424A	4 Open Burners - 24"W x 28"D	80,000/70,000	135/61	30 (762) x 30 (762) x 16 (406)
RHPA-636A	6 Open Burners - 36"W x 28"D	120,000/105,000	191/87	42 (1067) x 40 (1016) x 26 (660)
RHPA-848A	8 Open Burners - 48"W x 28"D	160,000/140,000	247/112	54 (1372) x 40 (1016) x 26 (660)

Garland Commercial Industries, Inc.
 185 East South Street
 Freeland, Pennsylvania 18224
 Phone: (570) 636-1000
 Fax: (570) 636-3903

Garland Commercial Ranges Ltd
 1177 Kamato Road, Mississauga, Ontario
 L4W 1X4 CANADA
 Phone: 905-624-0260
 Fax: 905-624-5669

Enodis UK LTD
 Swallowfield Way, Hayes, Middlesex
 UB3 1DQ ENGLAND
 Telephone: 081-561-0433
 Fax: 081-848-0041

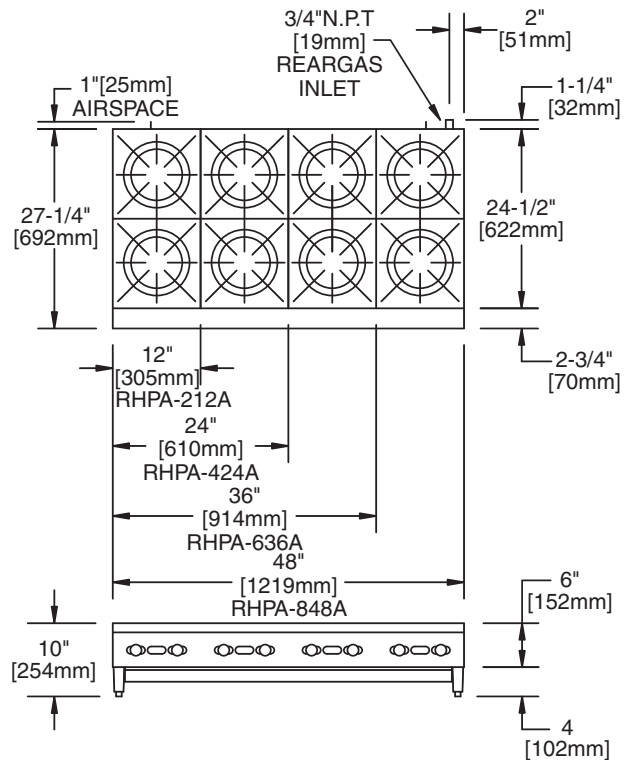
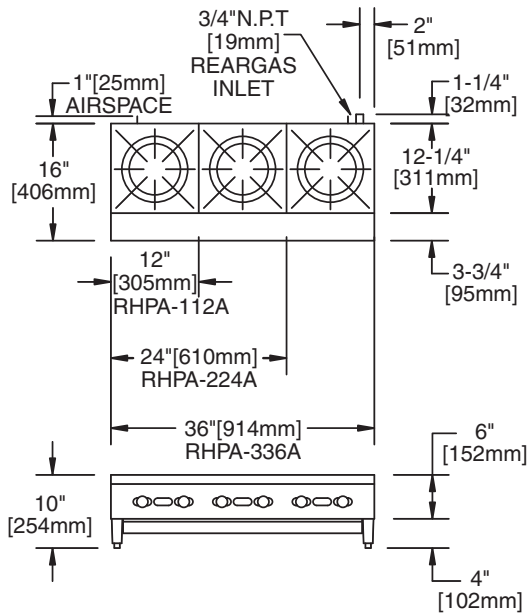
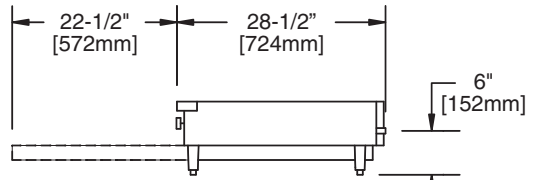
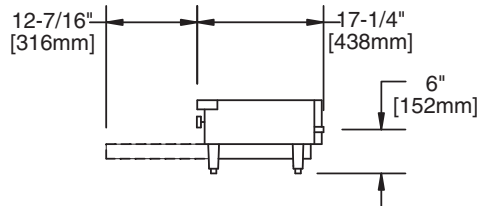


Item #: _____
 Model: RHPA
 Product Name: Regal Series Hot Plates
 Heavy Duty

Model #	Dimensions: In. (mm)			No. of Burners	Total Nat. Gas BTU	Total Pro. Gas BTU	Gas Manifold	Manifold Pressure	
	Width	Depth	Height					Natural	Propane
RHPA-112A	12(305)	16(406)	10(254)	1	20,000	17,500	3/4"	5" WC	10" WC
RHPA-212A	12(305)	28(711)	10(254)	2	40,000	35,000	3/4"	5" WC	10" WC
RHPA-224A	24(610)	16(406)	10(254)	2	40,000	35,000	3/4"	5" WC	10" WC
RHPA-336A	36(914)	16(406)	10(254)	3	60,000	52,500	3/4"	5" WC	10" WC
RHPA-424A	24(610)	28(711)	10(254)	4	80,000	70,000	3/4"	5" WC	10" WC
RHPA-636A	36(914)	28(711)	10(254)	6	120,000	105,000	3/4"	5" WC	10" WC
RHPA-848A	48(1219)	28(711)	10(254)	8	160,000	140,000	3/4"	5" WC	10" WC

Operating Pressure All Models	
Natural Gas	Propane
5" WC (12.5 Mbar)	10" WC (25 Mbar)

Many local codes exist and it is the responsibility of the owner and installer to comply with those codes.



Garland/U.S. Range products are not approved or authorized for home or residential use, but are intended for commercial applications only. Garland / U.S. Range will not provide service, warranty, maintenance or support of any kind other than in commercial applications.