



Item #: _____
 Model: GXR, GXC
 Product Name: GX Series Char-Glo Broilers
 w/Adjustable Grates



Model GXR36

Specifications:

Shall be Garland Char-Glo Broiler w/ Adjustable Grate, Model _____ with total BTU/Hour rating of _____ when used with natural/propane gas. Finish is to be stainless steel front and sides.



Standard Features:

- Three position, adjustable grate
- Heavy-duty removable cast iron grates
- Built-in front grease trough
- Large capacity, removable drip pan and grease can
- Aluminized steel burners, 18,000 BTU/hr Model GXR
- Cast iron burners, 45,000 BTU/hr, Model GXC
- Individual burner controls
- Burner controls protected under stainless steel cover
- Standing pilot for instant lighting
- 3/4" (19mm) gas regulator
- Exterior finish - stainless steel front and sides
- All welded frame

Optional Features:

- Stainless Steel Stand with Intermediate Shelf
- Casters On Stand - Swivel Type

Type of Gas

- Natural
- Propane
- Elevation Above 2,000 Ft. (610m) -Specify ____ ft.(m)

MODELS AVAILABLE: Char-Glo, Ceramic Coals			SHIPPING INFORMATION	
Model No.	Description	Total BTU	Lbs/Kg	Cube Dimensions (LxDxH) In(mm)
GXC24	24" Wide Broiler	90,000	283/128	30(762) x 40(1016) x 27(656)
GXC30	30" Wide Broiler	90,000	338/153	36(914) x 40(1016) x 27(656)
GXC36	36" Wide Broiler	135,000	391/177	42(1067) x 40(1016) x 27(656)
GXC48	48" Wide Broiler	180,000	505/229	54(1372) x 40(1016) x 27(656)
GXC60	60" Wide Broiler	180,000	620/281	60(1524) x 40(1016) x 27(656)

MODELS AVAILABLE: Cast Iron Radiants			SHIPPING INFORMATION	
Model No.	Description	Total BTU	Lbs/Kg	Cube Dimensions (LxDxH) In(mm)
GXR24	24" Wide Broiler	72,000	265/120	30(762) x 40(1016) x 27(656)
GXR30	30" Wide Broiler	90,000	320/145	36(914) x 40(1016) x 27(656)
GXR36	36" Wide Broiler	108,000	360/163	42(1067) x 40(1016) x 27(656)
GXR48	48" Wide Broiler	144,000	469/213	54(1372) x 40(1016) x 27(656)
GXR60	60" Wide Broiler	180,000	581/264	60(1524) x 40(1016) x 27(656)

Garland Commercial Industries, Inc.
 185 East South Street
 Freeland, Pennsylvania 18224
 Phone: (570) 636-1000
 Fax: (570) 636-3903

Garland Commercial Ranges Ltd
 1177 Kamato Road, Mississauga, Ontario
 L4W 1X4 CANADA
 Phone: 905-624-0260
 Fax: 905-624-5669

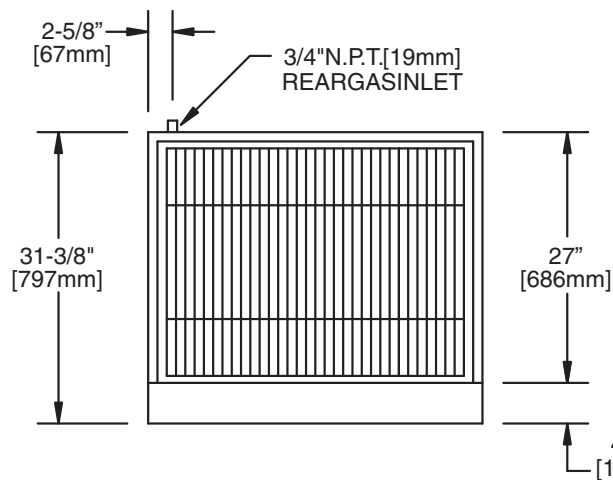
Enodis UK LTD
 Swallowfield Way, Hayes, Middlesex
 UB3 1DQ ENGLAND
 Telephone: 081-561-0433
 Fax: 081-848-0041

GARLAND® GAS GX Series Char-Glo Broilers w/Adjustable Grates
 Models: GXR, GXC

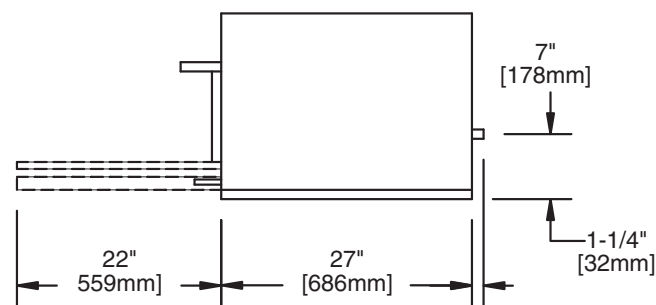
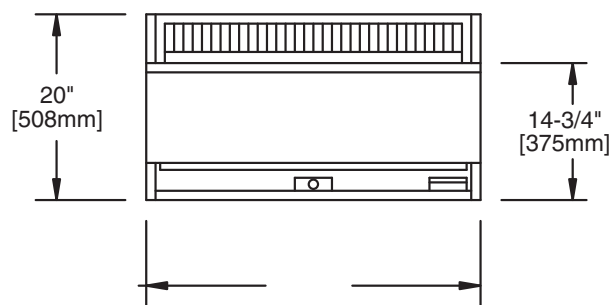


Item #: _____
 Model: GXR, GXC
 Product Name: GX Series Char-Glo Broilers
 w/Adjustable Grates

Description	GXC SERIES					GXR SERIES				
	24	30	36	48	60	24	30	36	48	60
Width: In(mm)	24 (610)	30 (762)	36 (914)	48 (1219)	60 (1524)	24 (610)	30 (762)	36 (914)	48 (1219)	60 (1524)
Depth: In (mm)	31-3/8(797) All Models									
Height:In(mm)	20 (508) All Models									
No. Burners	2	2	3	4	4	4	5	6	8	10
BTU/Hr Nat./Pro.	90,000	90,000	135,000	180,000	180,000	72,000	90,000	108,000	144,000	180,000
Gas Manifold	3/4" NPT	3/4" NPT	3/4" NPT	3/4" NPT	3/4" NPT	3/4" NPT	3/4" NPT	3/4" NPT	3/4" NPT	3/4" NPT
Gas Broiling Grid(s) W: In(mm) D: In (mm)	20(508) 24(610)	26(660) 24(610)	32(813) 24(610)	(2) 20(508) 24(610)	(2) 26(660) 24(610)	20(508) 24(610)	26(660) 24(610)	32(813) 24(610)	(2) 20(508) 24(610)	(2) 26(660) 24(610)



- Many local codes exist, and it is the responsibility of the owner and the installer to comply with these codes
- Garland reserves the right to change or improve our specifications without notification.
- These appliances are intended for commercial use by professionally trained personnel.



Continuous product improvement is a Garland policy. Specifications and design are subject to change without notice.