



STAINLESS STEEL
SERVICE & MOP SINKS



9-OP-20 shown with optional faucet, hose & hanger

Floor Mounted



9-OP-20



9-OP-40

Item #: _____ Qty #: _____

Model #: _____

Project #: _____

FEATURES:

Floor mounted unit eliminates the need of lifting heavy containers.

Tile edge furnished on the rear.

Bowls rectangular in design for increased capacity.

CONSTRUCTION:

All TIG welded.

Welded areas blended to match adjacent surfaces and to a satin finish.

MATERIAL:

Heavy gauge type "304" series stainless steel.

SERVICE & MOP SINKS

FEATURES:

Leg mounted design.

High back splash.

CONSTRUCTION:

All TIG welded.

Welded areas blended to match adjacent surfaces and to a satin finish.

MATERIAL:

Heavy gauge type "304" series stainless steel.

Conventional



8-OP-16



Economy

4-OP-18

16" HIGH SIDE & BACK SPLASHES FOR 9-OP SERIES MOP SINKS

16 Gauge, 300 Series Stainless Steel
Available with Back & Left Side, Back & Right Side or Back & Both Sides (Mounting Hardware Included)



MODEL	Fits Units:	Height Above Finished Floor (A.F.F.)
K-288LorR	9-OP-20	26"
	9-OP-40	32"

K-290LorR	9-OP-28	26"
	9-OP-48	32"

Splashes Available on All 3 Sides

K-298	9-OP-20	26"
	9-OP-40	32"

K-299	9-OP-28	26"
	9-OP-48	32"

SERVICE & MOP SINK ACCESSORIES



MOP DRAINAGE TRAY

- 16 Gauge, 300 Series Stainless Steel
- Includes Cast 1/2" Drain & Plastic Hose
- Wall Mounted (Hardware not Included)
- 2" Tray Height with 6" Rear Splash (Overall Height)

MODEL	L x W x H	Approx. Wt.
K-243	32" x 4" x 6"	13 lbs.

FLOW RATE
9.6 GPM/
36.3 LPM



K-240 SERVICE FAUCET

8" O.C.



K-16 FLOOR MOP SINK REPLACEMENT DRAIN



K-242 MOP HANGER



UTILITY SHELF - 8" WIDE

inches	mm	MODEL	Approx. Wt.	Approx. Cubes
24"	610	K-245	12 lbs.	1
36"	914	K-246	15 lbs.	2



K-244 HOSE & HANGER



Customer Service Available To Assist You **1-800-645-3166** 8:30 am - 8:00 pm E.S.T.

Email Orders To: customer@advancetabco.com. For Smart Fabrication™ Quotes, Email To: smartfab@advancetabco.com or Fax To: 631-586-2933

NEW YORK
Fax: (631) 242-6900

GEORGIA
Fax: (770) 775-5625

TEXAS
Fax: (972) 932-4795

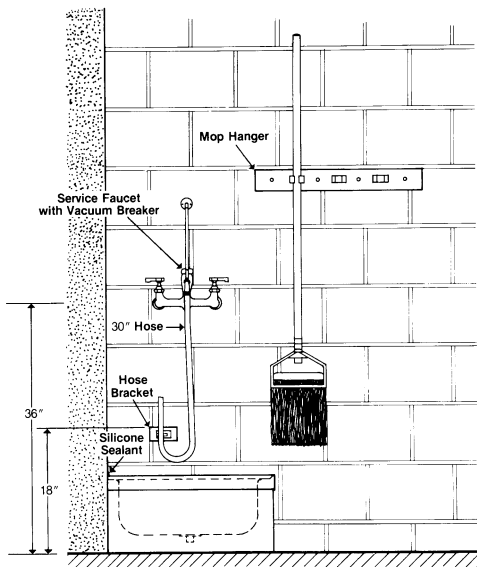
NEVADA
Fax: (775) 972-1578

DIMENSIONS

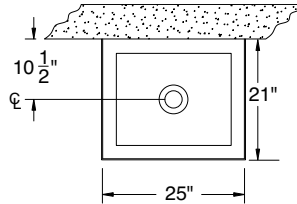
TOL Overall: $\pm .500''$
 Interior: $\pm .250''$

ALL DIMENSIONS ARE TYPICAL

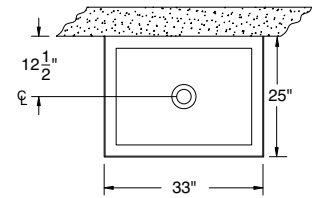
SUGGESTED INSTALLATION



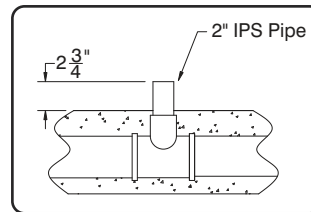
- 9-OP-20:** 16" x 20" x 6" Bowl with 10" Overall Height.
- 9-OP-28:** 20" x 28" x 6" Bowl with 10" Overall Height.
- 9-OP-40:** 16" x 20" x 12" Bowl with 16" Overall Height.
- 9-OP-48:** 20" x 28" x 12" Bowl with 16" Overall Height.



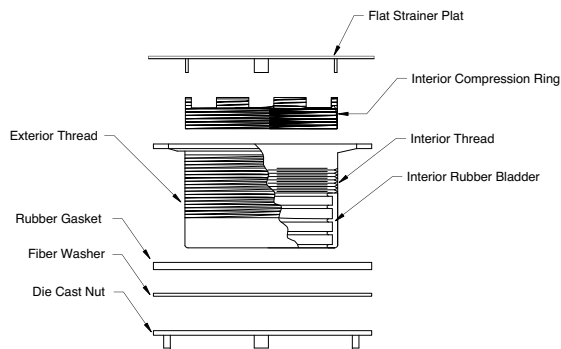
9-OP-20
9-OP-40



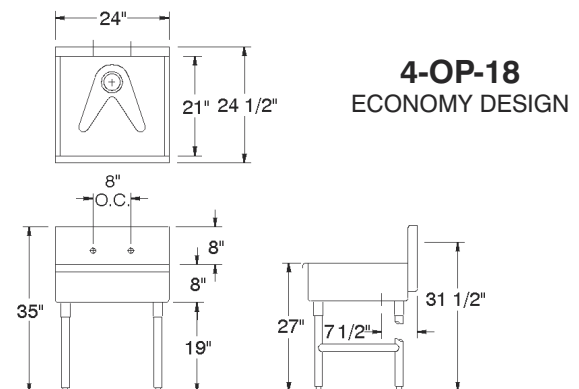
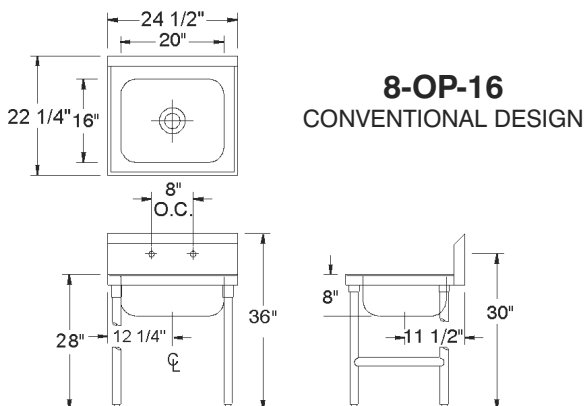
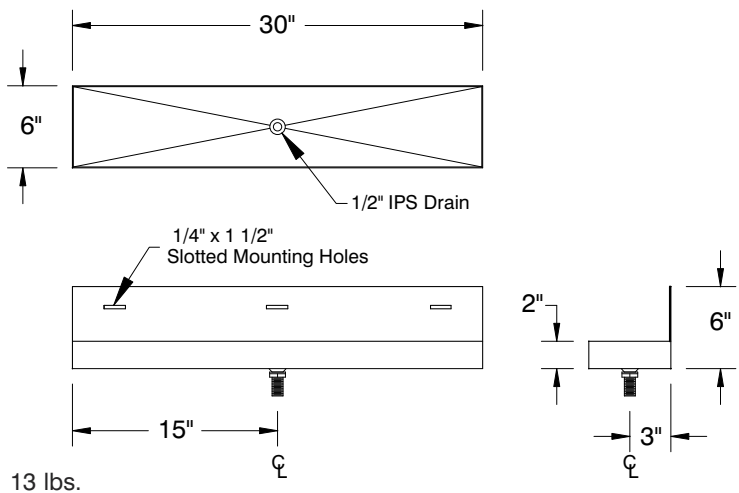
9-OP-28
9-OP-48



MOP SINK DRAIN ASSEMBLY



K-243 MOP DRAINAGE TRAY



1 1/2" IPS

